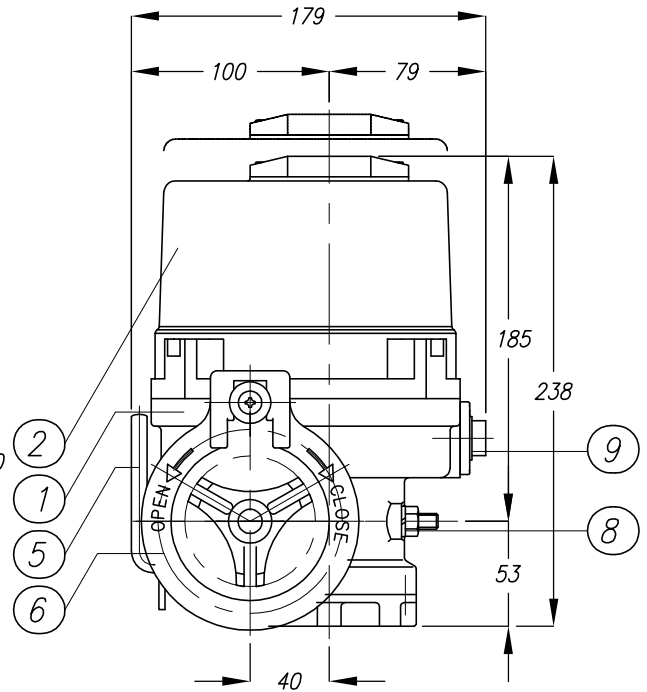
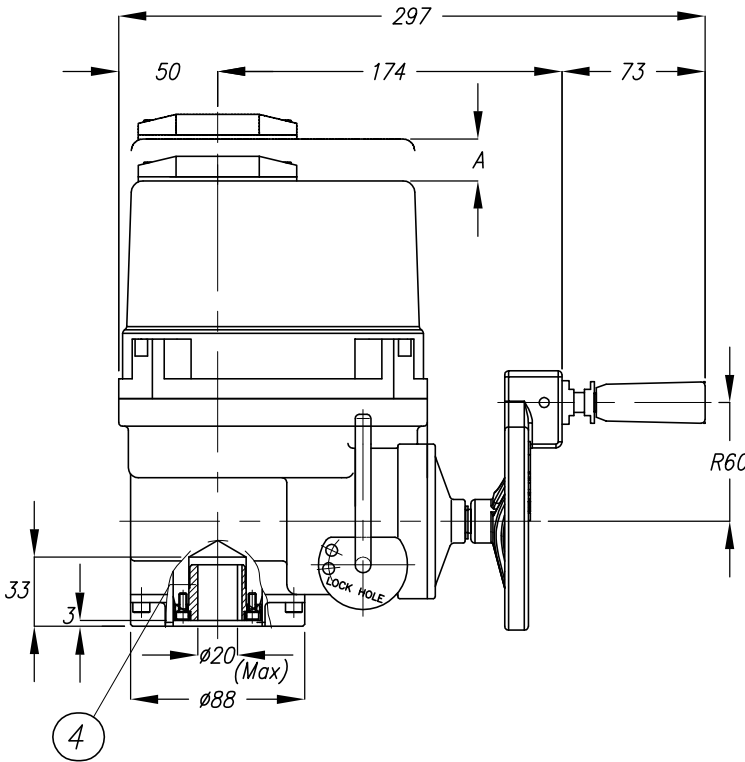
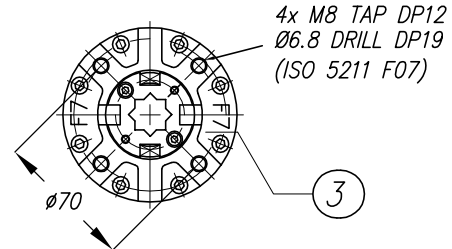
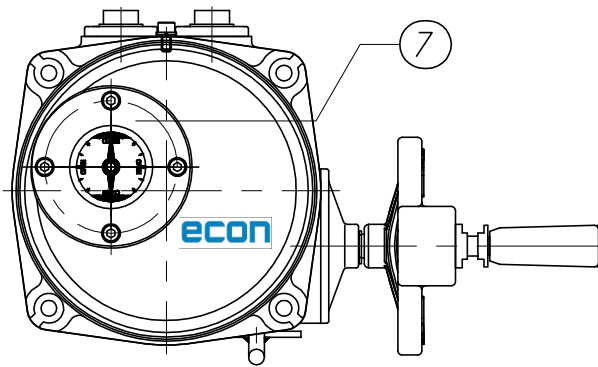


ELECTRIC ACTUATOR ELA80 AND ELA100 WITH DRIVE BUSHING

DOUBLE SQUARE INSERT DS17 MM



POS	NAME	MATERIAL
1	BODY	AC4B
2	TOP COVER	AC4B
3	BASE	FC250
4	DRIVE BUSHING	SM45C
5	LEVER	SM45C
6	HANDLE	AC4B
7	INDICATOR	SUS304
8	STOPPER BOLTS	SUS302 2x M8x40
9	CONDUIT ENTRIES	PC+G30% 2x M25

SIZE "A" IS THE DIFFERENCE TO REMOVE THE COVER OF THE ACTUATOR NAMEDLY 120MM

ENCLOSURE: IP67
 TORQUE: 8 Kg.m / 80 Nm ELA80
 TORQUE: 10 Kg.m / 100 Nm ELA100
 OPERATION TIME: ±15sec ELA80 ±19.5sec ELA100
 CABLE ENTRY: 2x M25
 MOUNTING FLANGE: F07 acc. to DIN/ISO 5211

DATE:
12-11-2012

REV. DATE:
18-12-2013

econ®

DRAWN:
FWP

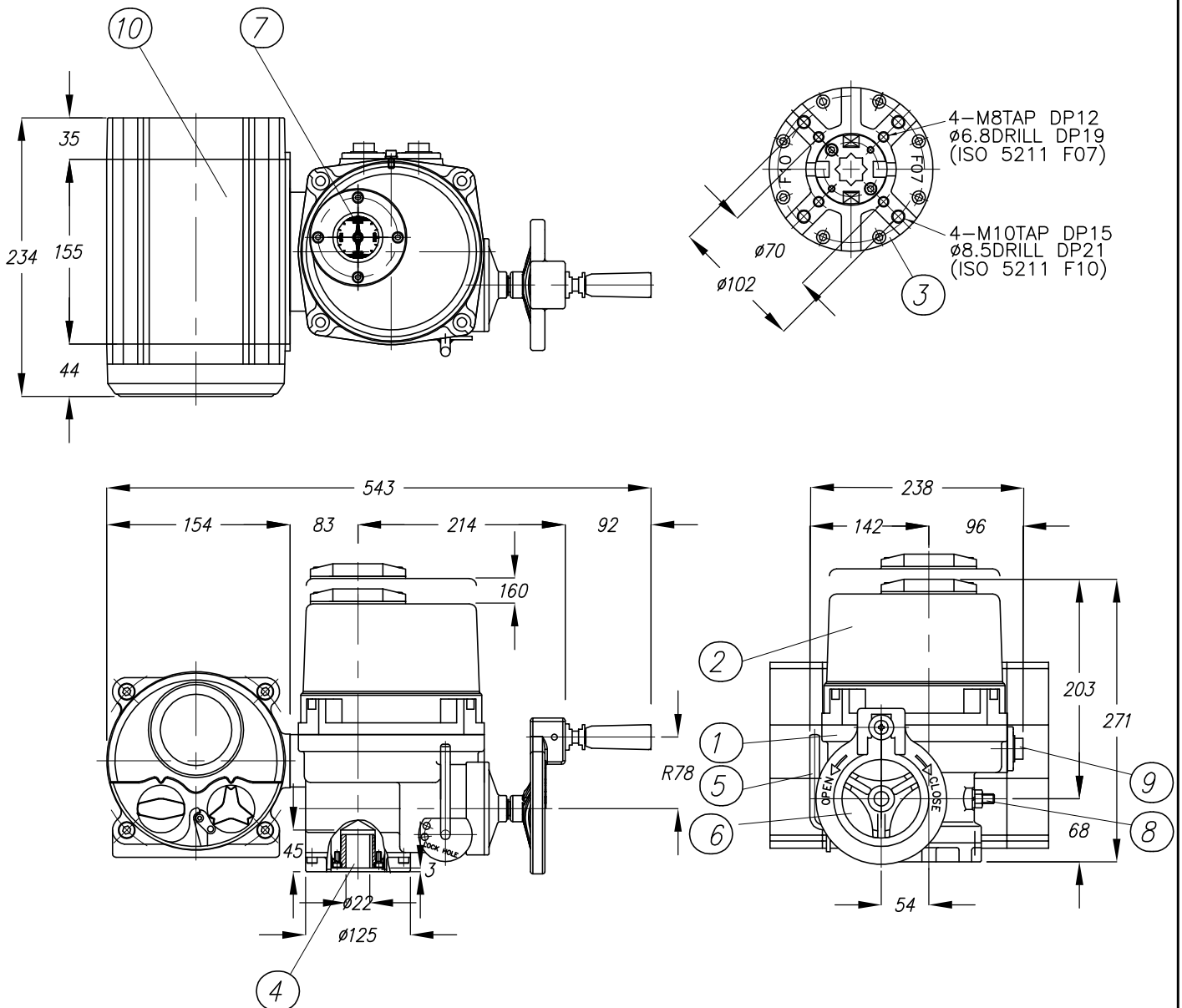
CHECKED:

DWG. Nr.:
7907-3

REV.:
A

ELECTRIC ACTUATOR ELA150 AND ELA200 WITH DRIVE BUSHING

DOUBLE SQUARE INSERT DS17 MM
WITH RECHARGEABLE BATTERY PACK (RBP)



POS	NAME	MATERIAL	Q'TY	REMARK
1	BODY	AC4B	1	
2	TOP COVER	AC4B	1	
3	BASE	FC250	1	
4	DRIVE BUSHING	SM45C	1	
5	LEVER	SM45C	1	
6	HANDLE	ALDC12	1	
7	INDICATOR	SUS304	1	
8	STOPPER BOLTS	SUS302	2	M10X50
9	CONDUIT ENTRIES	PC+G30%	2	M25
10	RBP BOX		1	

THE SPACE NEEDED TO REMOVE THE COVER
OF THE ACTUATOR IS 160MM

ENCLOSURE: IP67
 TORQUE: 15 Kg.m / 150 Nm ELA150
 TORQUE: 20 Kg.m / 200 Nm ELA200
 OPERATION TIME: ±23sec ELA150 AND ELA200
 CABLE ENTRY: 2x M25
 MOUNTING FLANGE: F07/F10 acc. to DIN/ISO 5211
 DRIVE BUSHING: ELA150 DOUBLE SQUARE INSERT OF 17MM
 DRIVE BUSHING: ELA200 DOUBLE SQUARE INSERT OF 17MM

DATE:
09-02-2017

REV.DATE:

econ®

DRAWN:

JL

CHECKED:

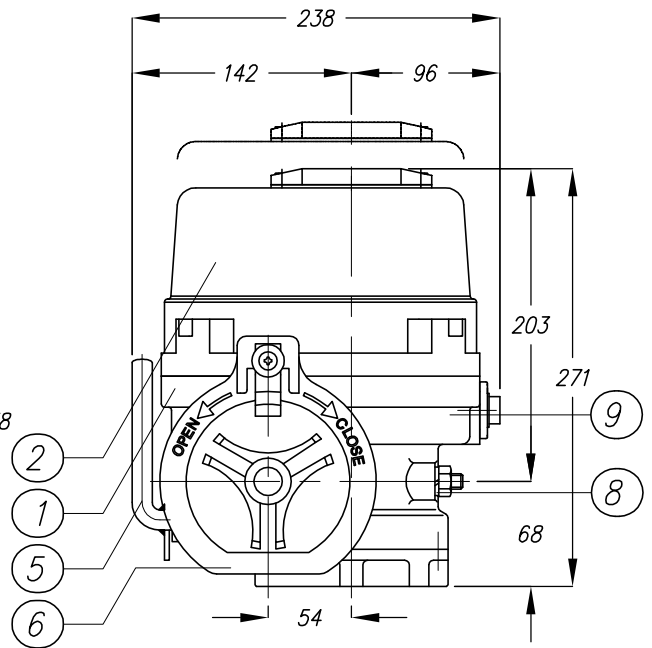
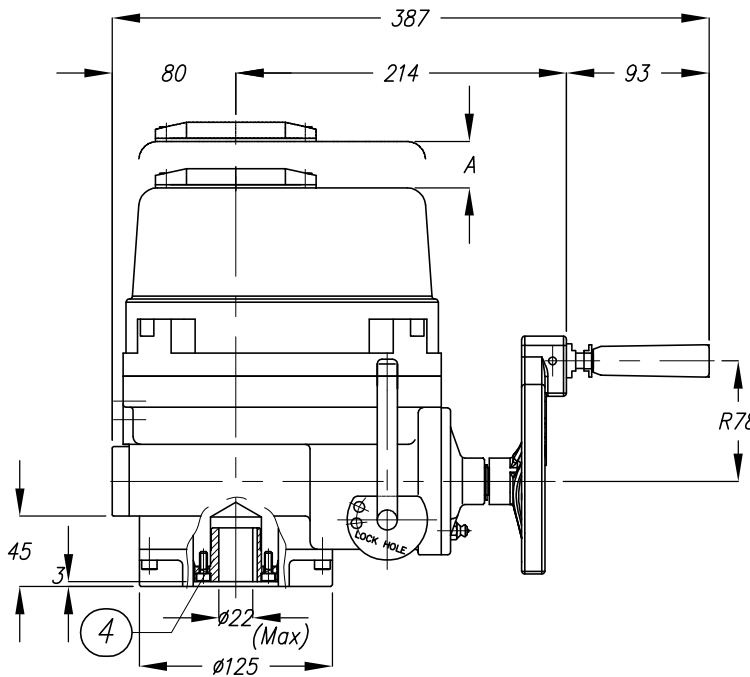
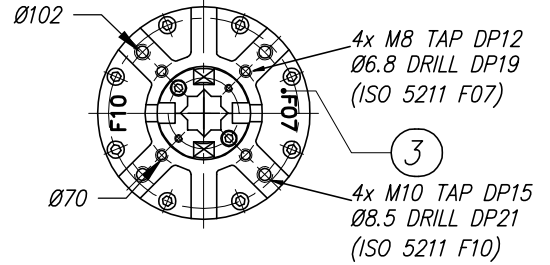
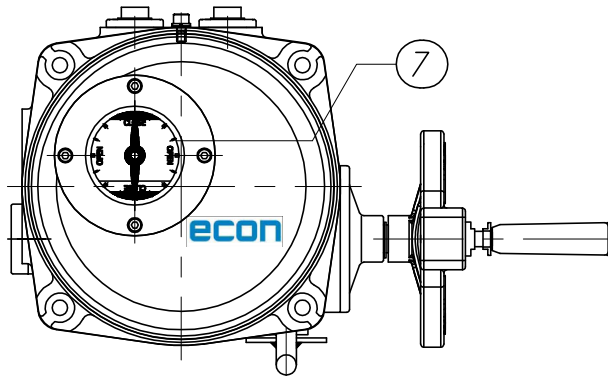
DWG. Nr.:

7907-4RBP

REV.:

ELECTRIC ACTUATOR ELA150 AND ELA200 WITH DRIVE BUSHING

DOUBLE SQUARE INSERT DS17 MM



POS	NAME	MATERIAL
1	BODY	AC4B
2	TOP COVER	AC4B
3	BASE	FC250
4	DRIVE BUSHING	SM45C
5	LEVER	SM45C
6	HANDLE	ALDC12
7	INDICATOR	SUS304
8	STOPPER BOLTS	SUS302 2x M10x50
9	CONDUIT ENTRIES	PC+G30% 2x M25

SIZE "A" IS THE DIFFERENCE TO REMOVE THE COVER OF THE ACTUATOR NAMEDLY 160MM

ENCLOSURE: IP67
 TORQUE: 15 Kg.m / 150 Nm ELA150
 TORQUE: 20 Kg.m / 200 Nm ELA200
 OPERATION TIME: ±23sec ELA150 AND ELA200
 CABLE ENTRY: 2x M25
 MOUNTIG FLANGE: F07/F10 acc. to DIN/ISO 5211

DATE:
20-11-2012

REV.DATE:
18-12-2013

econ[®]

DRAWN:
FWP

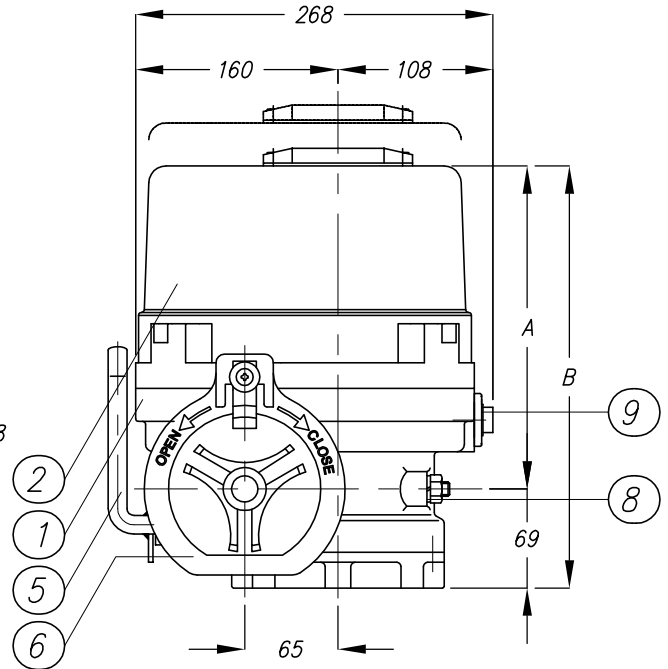
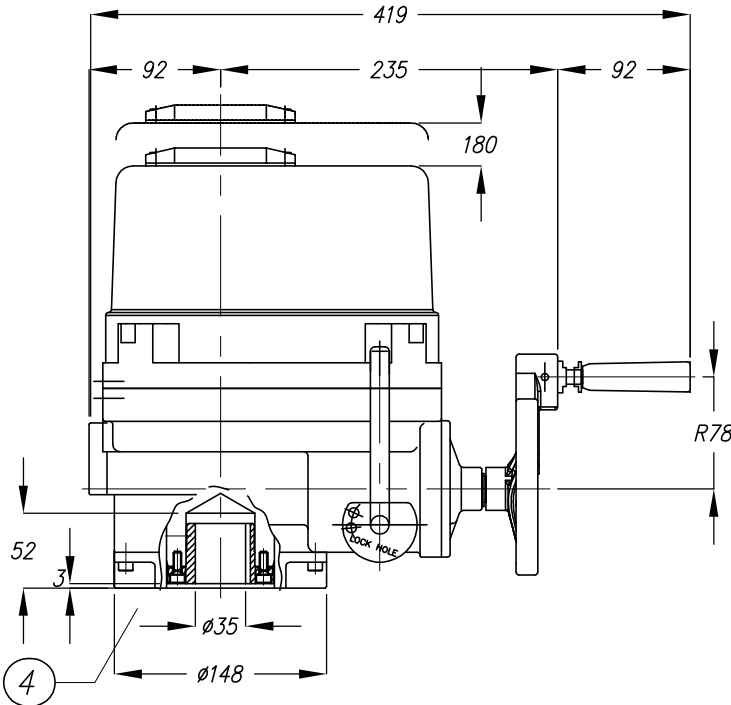
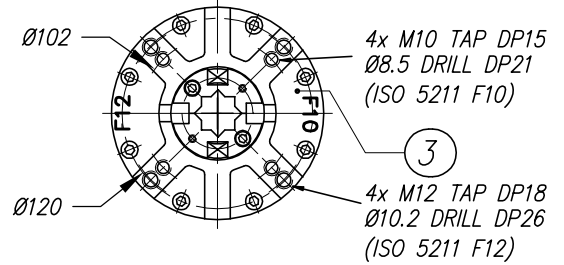
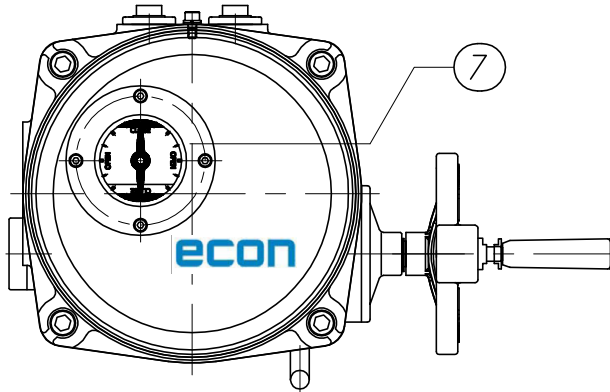
CHECKED:

DWG. Nr.:
7907-4

REV.:
A

ELECTRIC ACTUATOR ELA300, ELA500 AND ELA600

WITH DRIVE BUSHING DOUBLE SQUARE INSERT DS22 MM OR DS27MM



ELA	A	B
300	221	290
500	235	304
600	235	304

POS	NAME	MATERIAL
1	BODY	AC4B
2	TOP COVER	AC4B
3	BASE	FC250
4	DRIVE BUSHING	SM45C
5	LEVER	SM45C
6	HANDLE	AC4B
7	INDICATOR	SUS304
8	STOPPER BOLTS	SUS302 2x M10x60
9	CONDUIT ENTRIES	PC+G30% 2x M25

THE SPACE NEEDED TO REMOVE THE COVER OF THE ACTUATOR IS 180MM

ENCLOSURE: IP67
 TORQUE: 30Kg.m / 300Nm ELA300
 TORQUE: 50Kg.m / 500Nm ELA500
 TORQUE: 60Kg.m / 600Nm ELA600
 OPERATION TIME: ± 28 sec
 CABLE ENTRY: 2x M25
 MOUNTING FLANGE: F10/F12 acc. to DIN/ISO5211
 DRIVE BUSHING: ELA300 Double square insert of 22mm
 DRIVE BUSHING: ELA500 Double square insert of 27mm
 DRIVE BUSHING: ELA600 Double square insert of 27mm

DATE:
20-11-2012

REV. DATE:
17-11-2016

econ[®]

DRAWN:
FWP

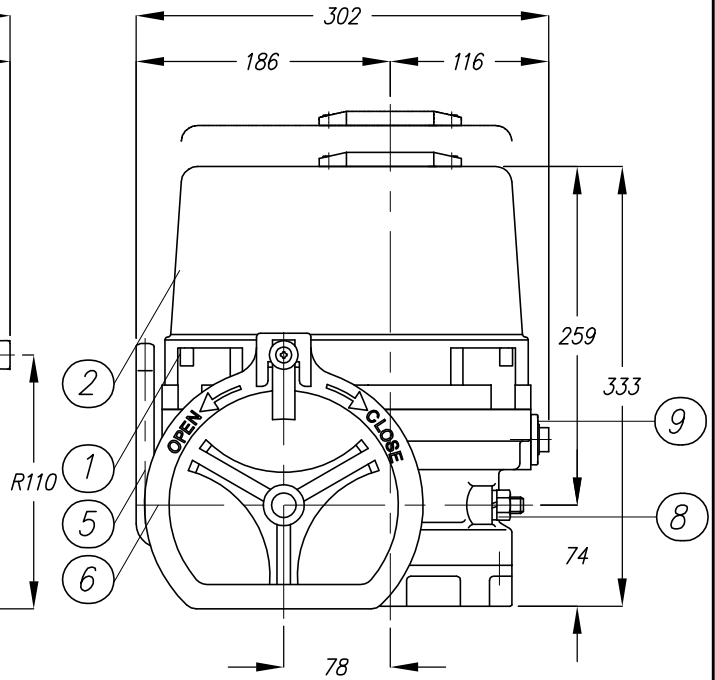
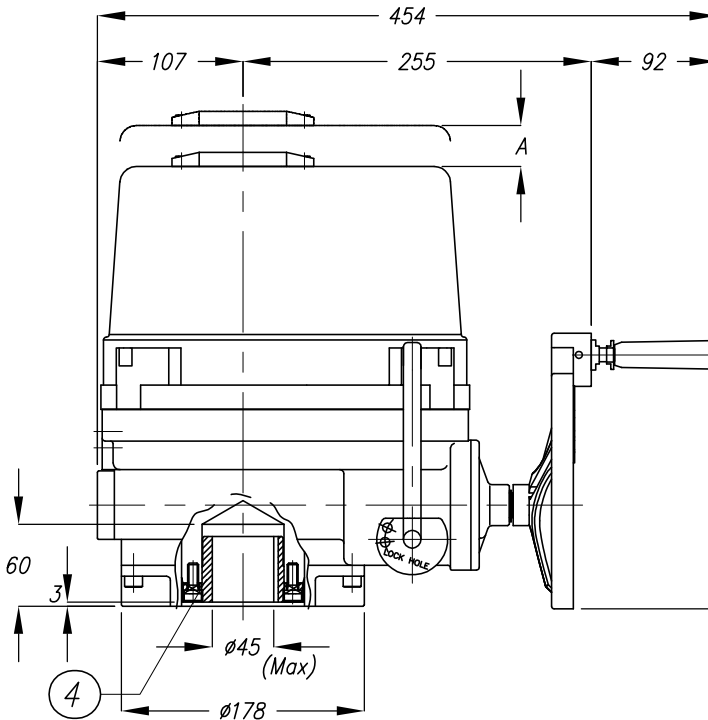
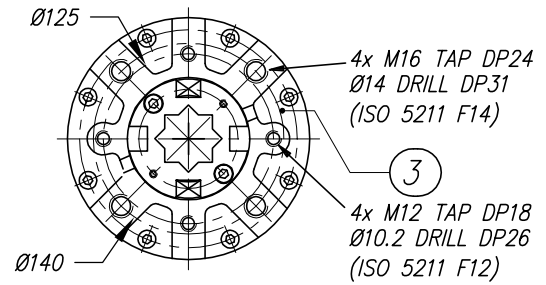
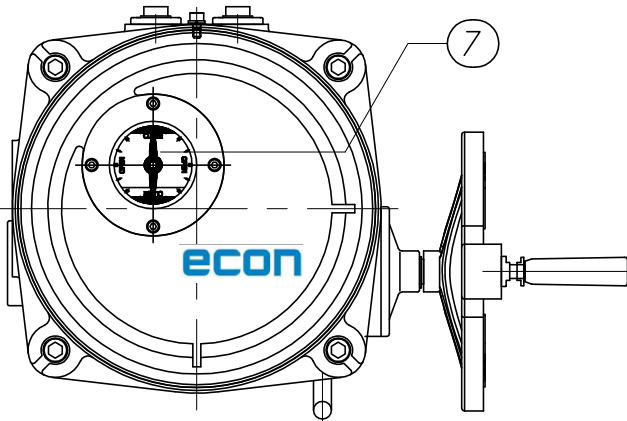
CHECKED:
J.L.

DWG. Nr.:
7907-5

REV.:
C

ELECTRIC ACTUATOR ELA800 AND ELA1200

WITH DRIVE BUSHING DOUBLE SQUARE INSERT DS27MM



POS	NAME	MATERIAL
1	BODY	AC4B
2	TOP COVER	AC4B
3	BASE	FC250
4	DRIVE BUSHING	SM45C
5	LEVER	SM45C
6	HANDLE	AC4B
7	INDICATOR	SUS304
8	STOPPER BOLTS	SUS302 2x M12x65
9	CONDUIT ENTRIES	PC+G30% 2x M25

SIZE "A" IS THE DIFFERENCE TO REMOVE THE COVER OF THE ACTUATOR NAMELY 210MM

ENCLOSURE: IP67
 TORQUE: 80 Kg.m / 800 Nm ELA800
 TORQUE: 120 Kg.m / 1200 Nm ELA1200
 OPERATION TIME: ±35sec
 CABLE ENTRY: 2x M25
 MOUNTING FLANGE: F12/F14 acc. to DIN/ISO 5211
 DRIVE BUSHING: Double square insert of 27mm

DATE:
21-11-2012

REV. DATE:
19-12-2013

econ[®]

DRAWN:
FWP

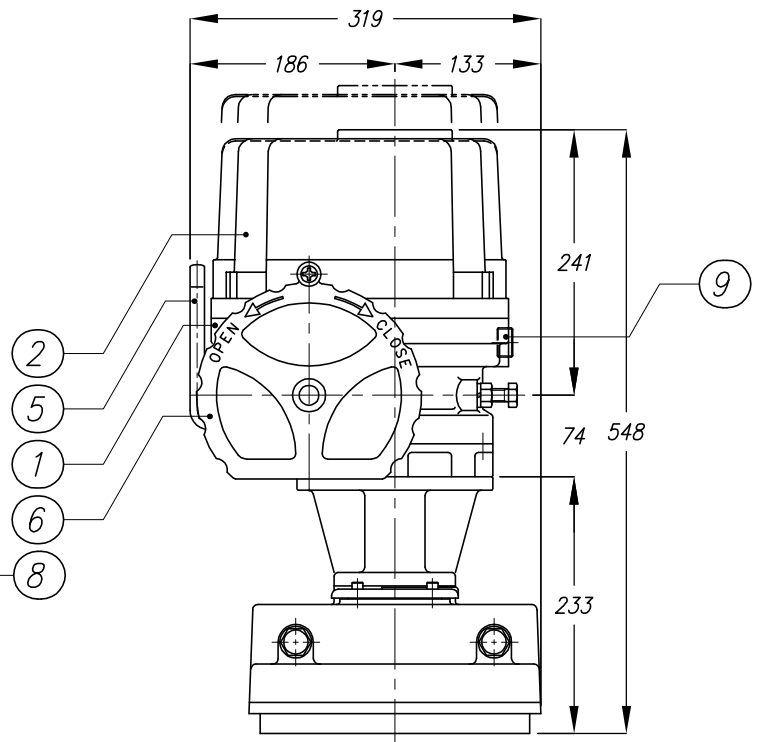
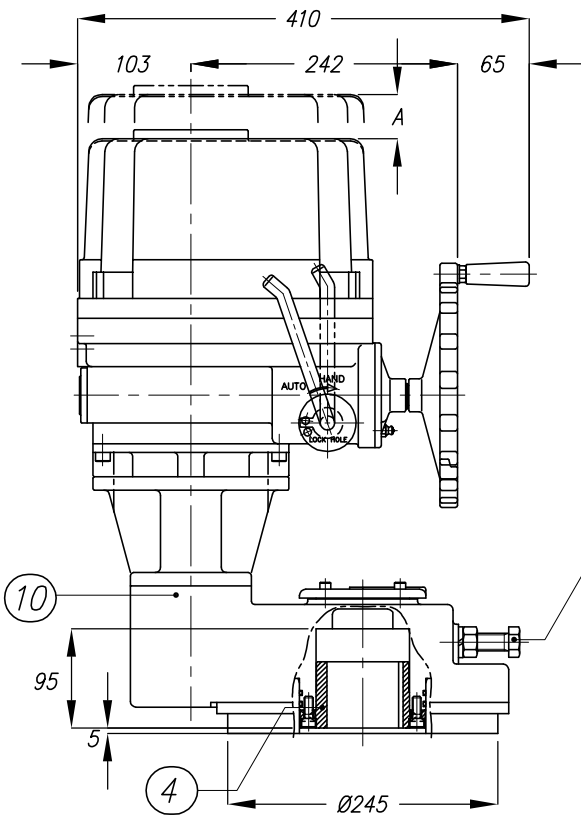
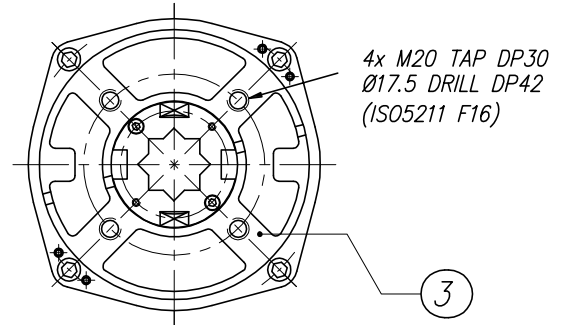
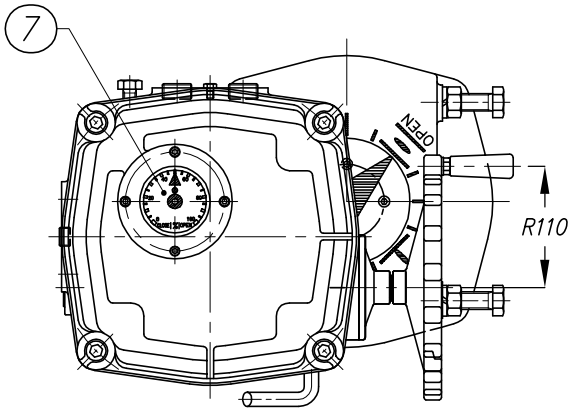
CHECKED:

DWG. Nr.:
7907-6

REV.:
A

ELECTRIC ACTUATOR ELA2000 AND ELA3000

WITH DRIVE BUSHING DOUBLE SQUARE INSERT DS36MM OR DS46MM



POS	NAME	MATERIAL
1	BODY	AC2B
2	TOP COVER	AC2B
3	BASE	FC250
4	DRIVE BUSHING	SM45C
5	LEVER	SM45C
6	HANDLE	ALDC8
7	INDICATOR	PC
8	STOPPER BOLTS	SUS316
9	CONDUIT ENTRIES	PF 3/4"
10	GEARBOX	GC250

SIZE "A" IS THE DIFFERENCE TO REMOVE THE COVER OF THE ACTUATOR NAMELY 210MM

ENCLOSURE: IP67
 TORQUE: 200Kg.m / 2000Nm ELA2000
 TORQUE: 300Kg.m / 3000Nm ELA3000
 OPERATION TIME: ±105sec.
 CABLE ENTRY: PF 3/4"
 MOUNTING FLANGE: F16 acc. to DIN/ISO5211
 DRIVE BUSHING: Double square insert of 36mm ELA2000
 DRIVE BUSHING: Double square insert of 46mm ELA3000

DATE:
22-11-2012

REV.DATE:

econ®

DRAWN:
FWP

CHECKED:

DWG. Nr.:

REV.:

7907-7